



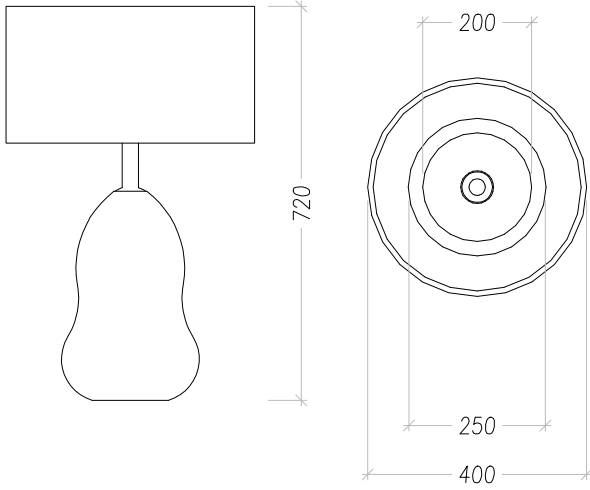
MICHELE BÖNAN
I N T E R I O R S

CONTACT

Limonaia Torrigiani
Via dei serragli 144/146,
50124 Firenze FI Ph. +39 055
0541106
info@michelebonaninteriors.com
michelebonaninteriors.com

SOMMERSO

CODE: LMP-05



Important lamp with an organic shape in Murano glass, completed by a large raffia lampshade.

DIMENSIONS

W: 40 cm / H: 72 cm

FINISHES



RAFFIA



BLACK GLASS

